

B220TJ

Comfort XEE

22 m

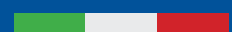


The B220TJ platform combines the telescopic arm with end-mounted basket and the final 2.4-meters JIB, allowing easy manoeuvres to overcome obstacles and place the basket in hard to reach points, even with the arm in a negative position.

The configuration on a 3.5-ton truck allows it to be used in any type of context, while the full variable jacking of the 4 vertical extendable legs allows to optimize its footprint and performance. GSR quality, innovation and reliability are concentrated in this model, which is suitable for multiple uses and different types of users.



GSR
AERIAL PLATFORMS



- 4 vertical extendable stabilizers
- Full variable jacking (open - one side right/left - rear)
- Lateral outreach of 14 meters and 80 kg basket capacity
- Basket capacity up to 250 kg
- Upper controls with multifunctional joysticks
- Advanced security systems, precise and immediate in use
- Light weight platform but robust in structure
- Compact and balanced on the road like a normal car
- Easy to use, with automatic functions
- Ideal for self-drive hire

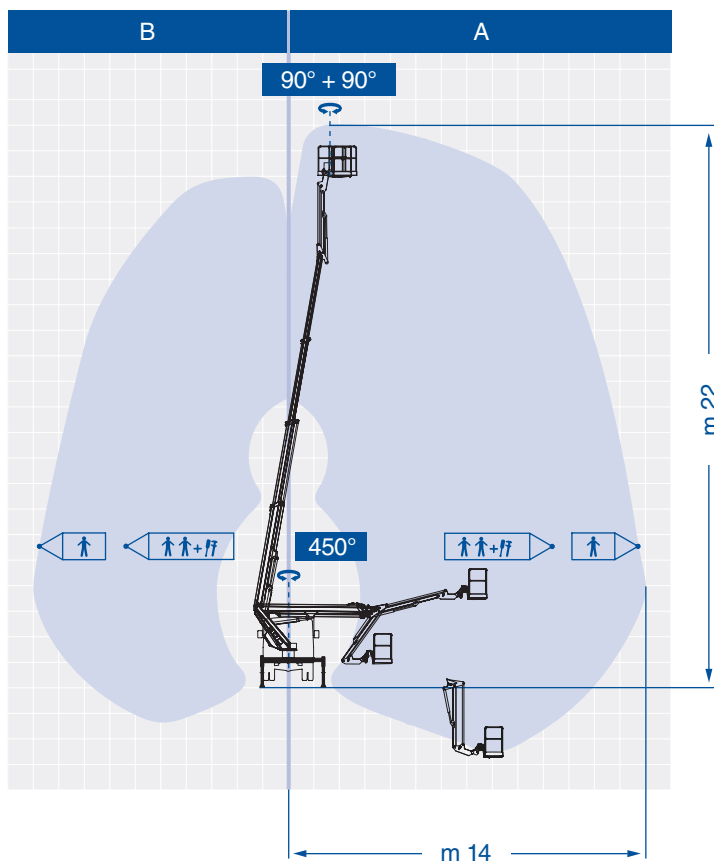
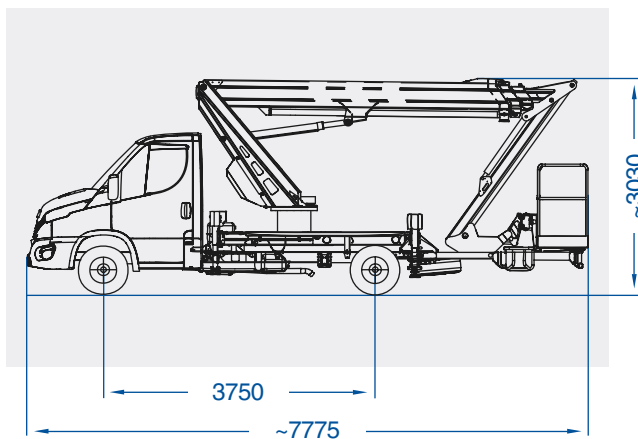


B220TJCOMIFORTXEE_VEN042024

Model	Working Height (m)*	Max. Outreach (m)*	Basket Capacity (kg)	Turret Rotation (°)	Basket Rotation (°)	GVW min. (to)*
B220TJ Comfort XEE	22	14/10,6	80/250	450	90 + 90	3,5

* Depending on the vehicle

B220TJ Comfort XEE



GSR SpA adopts a policy of continuous improvement. The displayed specifications are indicative and subject to modifications without prior note.