

# E140P

## Compact II

13,3 m

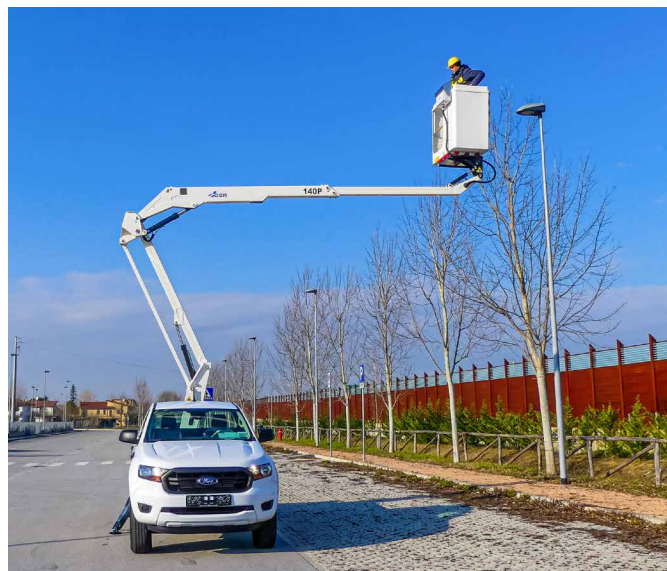
EN



The GSR E140P platform combines the traditional rigidity and strength with the versatility of the telescopic articulated boom. The result is a compact and reliable machine. The particular geometry allows the installation on pick-up, allowing to reach areas of work that are inaccessible to traditional machines.

Individual outrigger controls allow simple and quick levelling on uneven surfaces. The electro-hydraulic controls are precise and reliable, simplifying the hydraulic system and allowing all manoeuvres even from the ground and the eventual electrical insulation of the boom from the basket and from the vehicle.

The height of 13,3 metres and the outreach of 6 metres can be reached with 250 kg in the basket.



**GSR**  
AERIAL PLATFORMS

[www.gsrspa.it](http://www.gsrspa.it)

- Basket capacity of 250 kg without restrictions
- Lateral outreach of 6 metres fully loaded
- Intuitive and simple controls
- Advanced security systems, precise and immediate in use
- Single or double insulation (optional)
- Light weight but robust structure with high residual load
- Compact and balanced on the road like a normal car
- Extremely compact: only 5,61 m length and 1,87 m width in running order
- Easy and intuitive, ideal for self drive hire

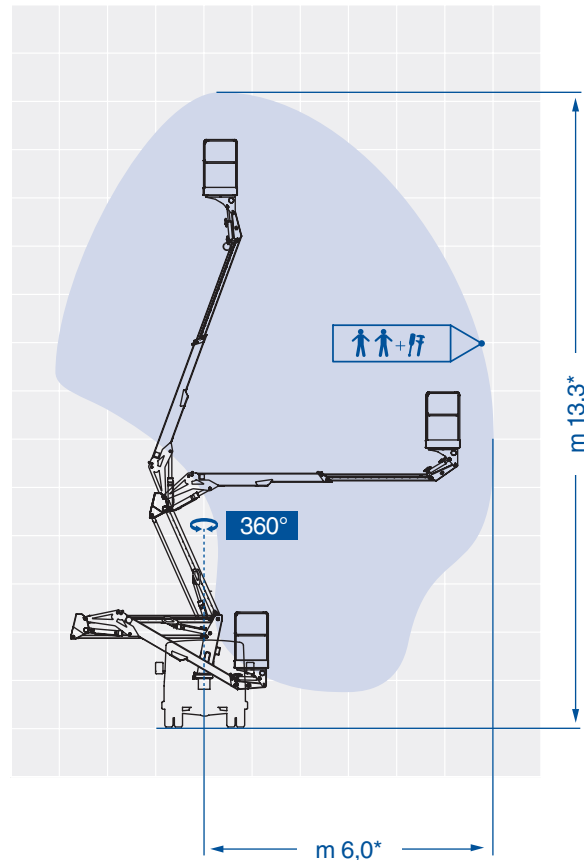
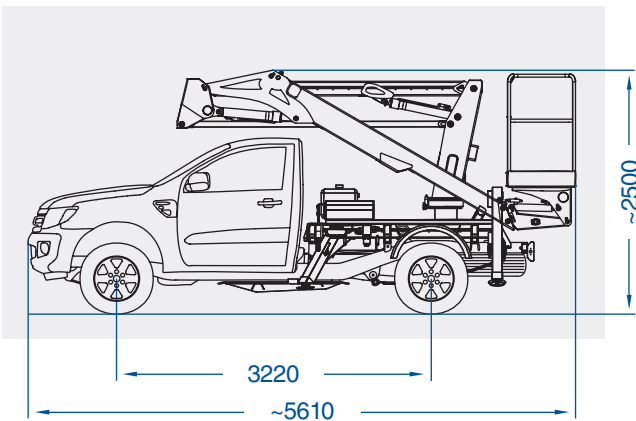


E140PCOMPACTII\_VEN052023

Model	Working Height (m)*	Max. Outreach (m)*	Basket Capacity (kg)	Turret Rotation (°)	GVW min. (to)*
E140P Compact II	13,3	6,00	250	360	3,2

\* Depending on the vehicle

## E140P Compact II



GSR SpA adopts a policy of continuous improvement. The displayed specifications are indicative and subject to modifications without prior note.