

# B180T

COMFORT XEV

18 m

The new GSR B180T reaches a new level in its telescopic range on 3,5t vehicles.

This model maintains the same traditional rigidity and sturdiness, confirming the performances in terms of outreach and reduced footprints.

Simple to use and technologically advanced, this machine, with vertical stabilizers in extendible and variable version, reduced length and horizontal outreach up to 12,8 m, confirms the high-quality standards and innovation of GSR products.



EN

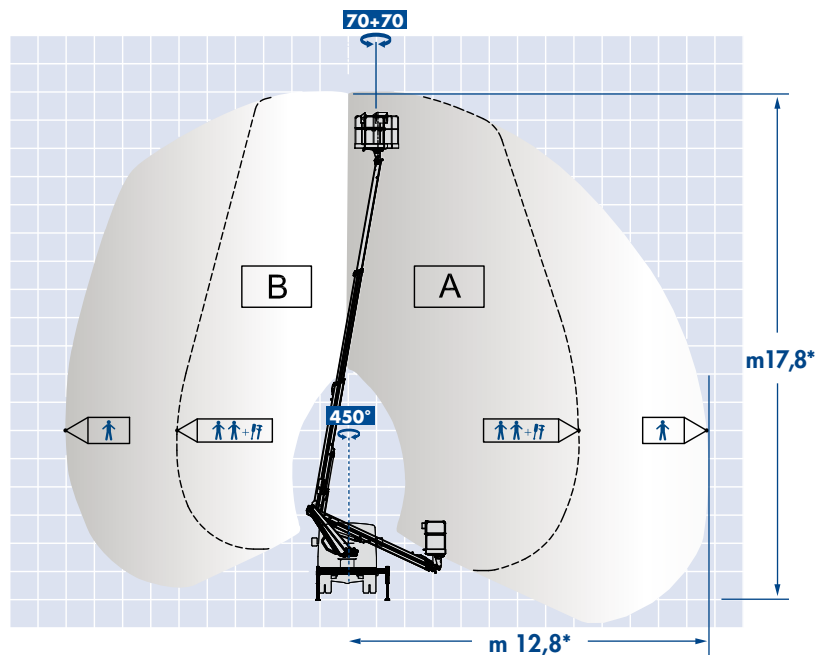
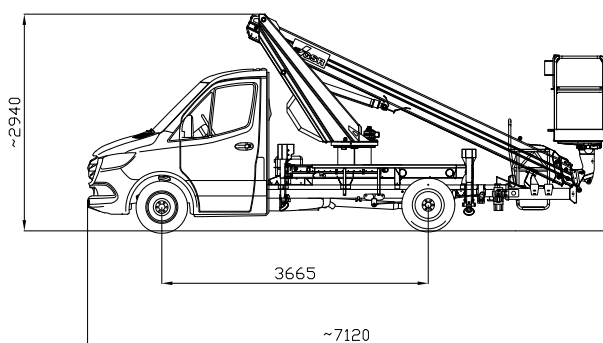


# B180T COMFORT XEV



## B180T COMFORT XEV

- Horizontal outreach until 12,8 metres and basket capacity up to 300kg
- Extendible and variable stabilization with vertical stabilizers
- Simple and intuitive controls
- Advanced security systems, precise and immediate in use
- Light weight platform but robust in structure
- Compact and balanced on the road like a normal car
- Easy to use, with automatic functions
- Ideal for self-drive hire



**B180T COMFORT XEV**

MODEL	Working Height (m)	Max. Outreach (m)	Basket Capacity (kg)	Turret Rotation (°)	Basket Rotation (°)	GVW min. (to)
B180T COMFORT XEV	17,8	8,15 / 12,8	300/80	450	70 + 70	3,5



GSR S.p.A. a socio unico | Via Lea Giaccaglia, 5 - 47924 Rimini (RN) - Italia  
Tel. + 39 0541 397811 | Fax + 39 0541 384491 | www.gsrspa.it | sales@gsrspa.it

Company with Quality Management System certified by DNV  
- ISO 9001:2008



Dealer