

RA Series

from 11 to 14 m

The Reverse Articulated GSR "RA" is a fully hydraulic machine purpose-built to suit commercial vans (or chassis cabs) from 3,5 to GVW and providing full-outreach with a full basket capacity.

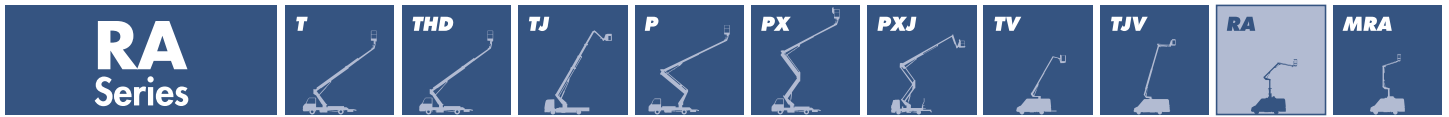
The all-hydraulic operation gives precise accuracy when positioning the platform and makes it simple, reliable and easy to use for the operator. The fold-in stowed position of the basket at the rear of the vehicle makes it quick and easy to use and the machine's good balance between weight and dimensions allows a remarkable spare loading-capacity even with the lightest van option.

Various outrigger configurations are available and are matched according to the type of Van to give the correct ratio in terms of operating envelope and stabilisation width.



GB





Standard features include

- No outreach or moment limiter
- No tail swing
- Easy access to the basket
- Fully hydraulic controls by single levers
- Movable base controls via wander lead
- Independent interlocked outrigger controls
- Automatic basket leveling
- Rectangular boom
- Colour scheme white RAL 9010 for the aerial platform, black RAL 9011 for the cylinders
- Vehicle engine start / stop from the basket
- Two outriggers operating within the vehicle width

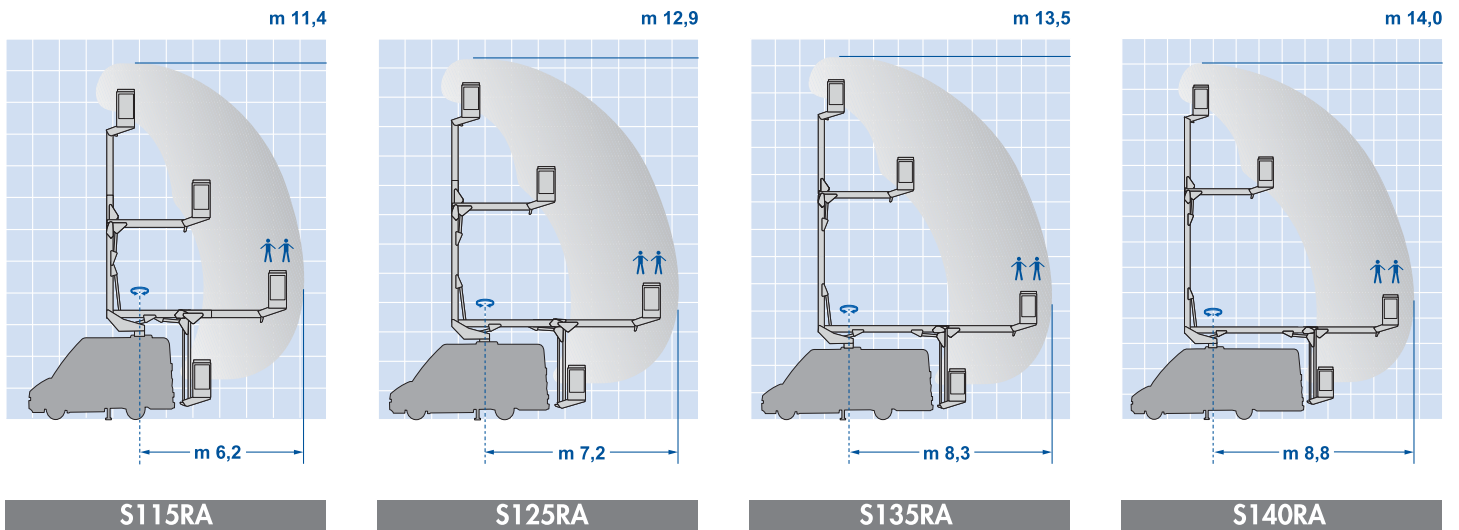
Safety

- Outrigger / Boom interlocks
- Manual emergency pump
- Emergency stop at the basket and the ground control points
- Failsafe lock valves to all hydraulic cylinders
- Spirit level indicator
- Control lights in the cab indicating outriggers grounded and in stowed position
- Conformity declaration (CE)

Extra accessories

- Rotating beacon
- Hourmeter connected to the power take off of the vehicle
- 230/110V wiring to the basket
- Spotlight in the basket
- Electric emergency pump
- Safety harness
- Special painting
- Walk-In fibreglass basket

Wide series of vehicle fittings and accessories available. For detailed information contact sales office.



MODEL	Working Height (m)	Max. Outreach (m)	Basket Capacity (kg)	Turret Rotation (°)	JIB Articulation (°)	GVW min. (to)
S115RA	11,4	6,2	200	360	90	3,5
S125RA	12,9	7,2	200	360	90	3,5
S135RA	13,5	8,3	200	360	90	5,0
S140RA	14,0	8,8	200	360	90	5,0



GSR SpA Via Lea Giaccaglia, 5 - 47924 Rimini (RN) - Italy
 Phone + 39 0541 397811 - Fax + 39 0541 384491
 www.gsrspa.it e-mail: sales@gsrspa.it

Company with Quality System Certified by DNV - ISO 9001/2000

Dealer