

EN

B210PXJ

Comfort EV

20,3 m



The new platform B210PXJ integrates the double up-and-over articulation with the final 2-meters JIB and the end-mounted basket. Sophisticated but simple, powerful and unrestricted, it allows to overcome obstacles at height with easy and intuitive manoeuvres.

Unique for its simplicity and performance: 10 meters outreach, full basket capacity of 250 kg in the entire working area, turret rotation without restrictions.

Rigid and intuitive, this machine allows you to reach areas that have been inaccessible until now, without using machineries and technologies too complex for daily use and self-drive.



GSR
AERIAL PLATFORMS

www.gsrspa.it

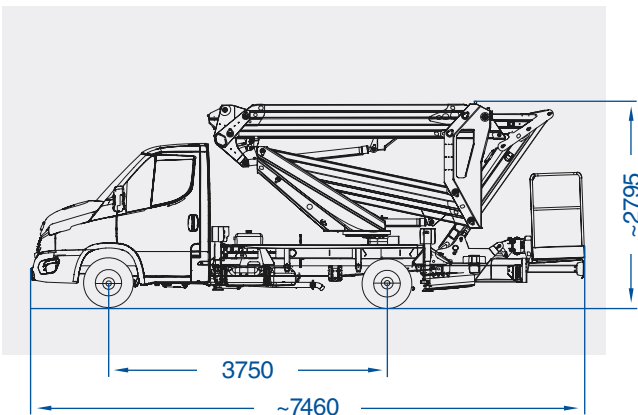
- Final 2-meters JIB and end-mounted basket which lowers the cage flat to the ground.
- Ideal for overcoming obstacles at height, precision works (chimneys, roofs, balconies, etc.)
- Balanced and controlled swing of the articulations, making operations easier with great performances
- 450° turret rotation
- Reduced footprint with vertical stabilizers, 2 front extendible and 2 rear "in shape"
- Unrestricted "up-and-over" with 10 meters outreach and 250 kg basket capacity
- Intuitive and simple controls
- Advanced security systems, precise and immediate in use
- Light weight but robust structure
- Compact and balanced on the road like a normal car
- Easy and intuitive, ideal for self-drive hire



Model	Working Height (m)*	Max. Outreach (m)*	Basket Capacity (kg)	Turret Rotation (°)	Basket Rotation (°)	JIB Articulation (°)	GVW min. (to)*
B210PXJ Comfort EV	20,25	10,00	250	450	90 + 90	140	3,5

* Depending on the vehicle

B210PXJ Comfort EV



90° + 90°

