

EN

B180T

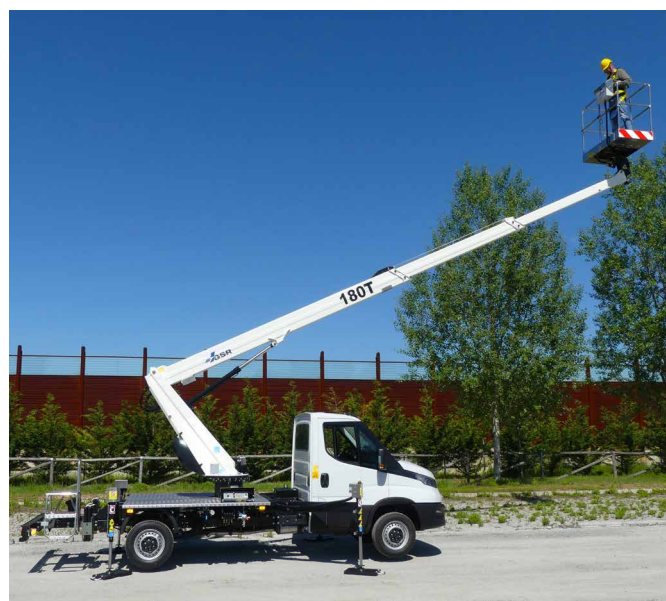
Comfort XEV 17,8 m



The new GSR B180T reaches a new level in its telescopic range on 3,5t vehicles.

This model maintains the same traditional rigidity and sturdiness, confirming the performances in terms of outreach and reduced footprints.

Simple to use and technologically advanced, this machine, with vertical stabilizers in extendible and variable version, reduced length and horizontal outreach up to 12,8 m, confirms the high-quality standards and innovation of GSR products.



GSR
AERIAL PLATFORMS

www.gsrspa.it

- Horizontal outreach until 12,8 metres and basket capacity up to 300kg
- Extendible and variable stabilization with vertical stabilizers
- Simple and intuitive controls
- Advanced security systems, precise and immediate in use
- Light weight platform but robust in structure
- Compact and balanced on the road like a normal car
- Easy to use, with automatic functions
- Ideal for self-drive hire

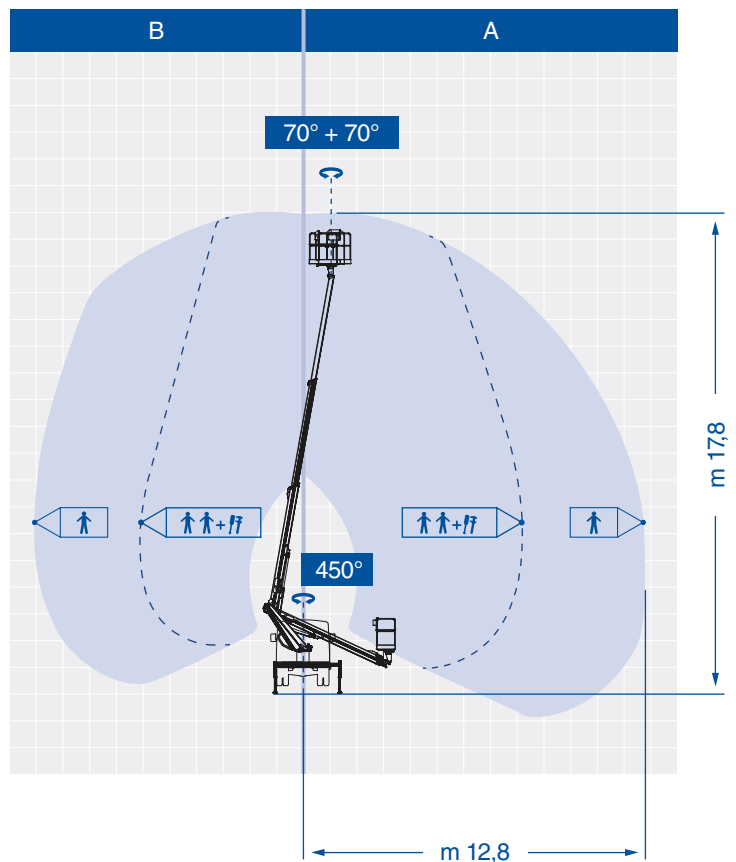
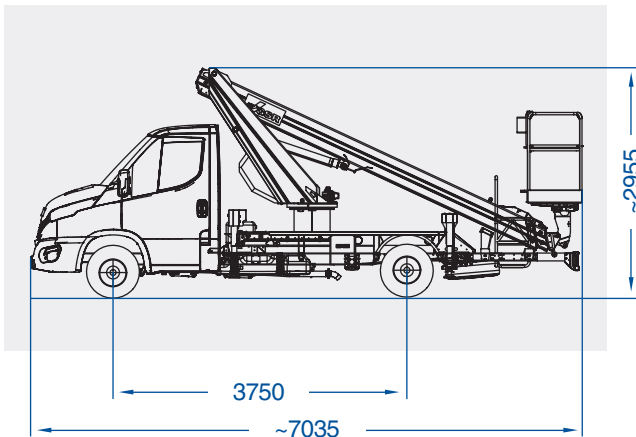


B180TCOMFORTXEV_VEN062023

Model	Working Height (m)*	Max. Outreach (m)*	Basket Capacity (kg)	Turret Rotation (°)	Basket Rotation (°)	GVW min. (to)*
B180T Comfort XEV	17,8	12,8/8,15	80/300	450	70 + 70	3,5

* Depending on the vehicle

B180T Comfort XEV



GSR SpA adopts a policy of continuous improvement. The displayed specifications are indicative and subject to modifications without prior note.